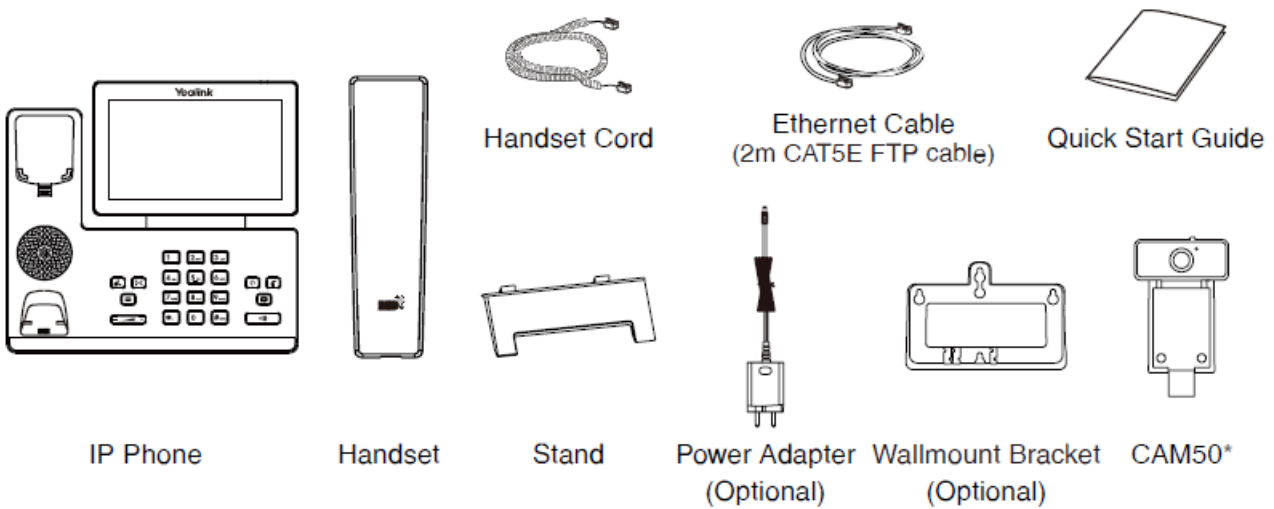


# SIP-T58W/T58W Pro/T58W Pro with camera

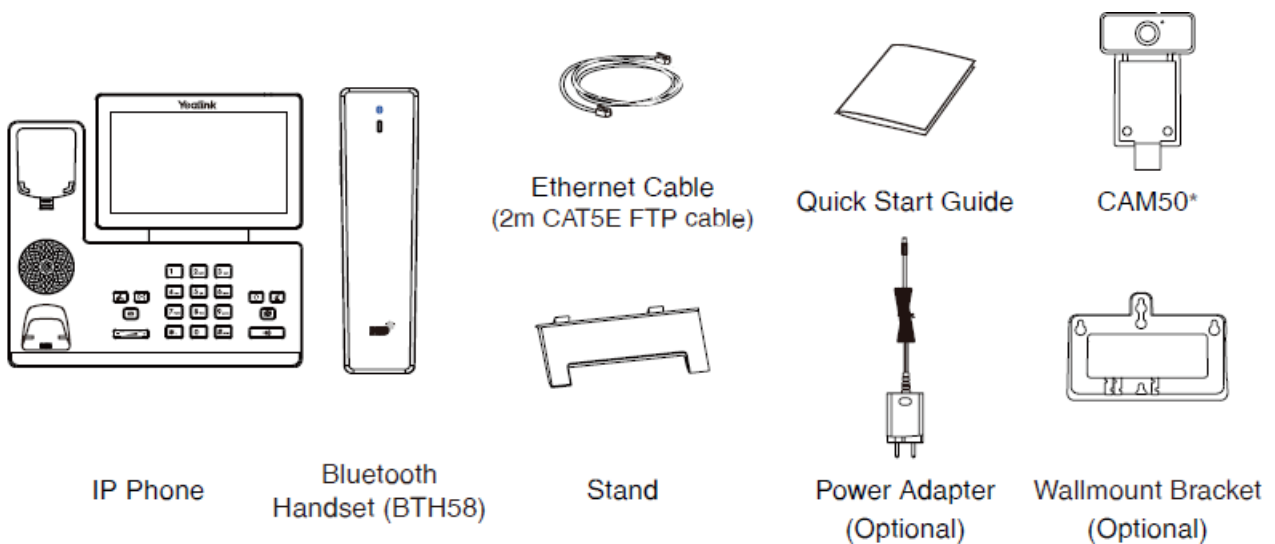
## Package Contents

The following items are included in your package. If you find anything missing, contact your system administrator.

- SIP-T58W/SIP-T58W with camera



- SIP-T58W Pro/SIP-T58W Pro with camera

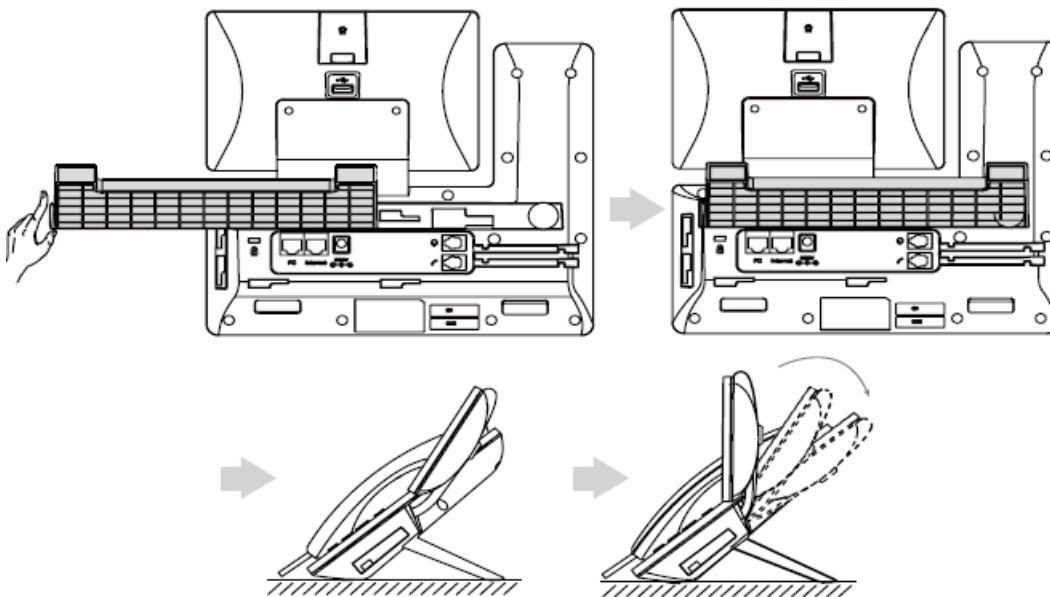


**TIP**

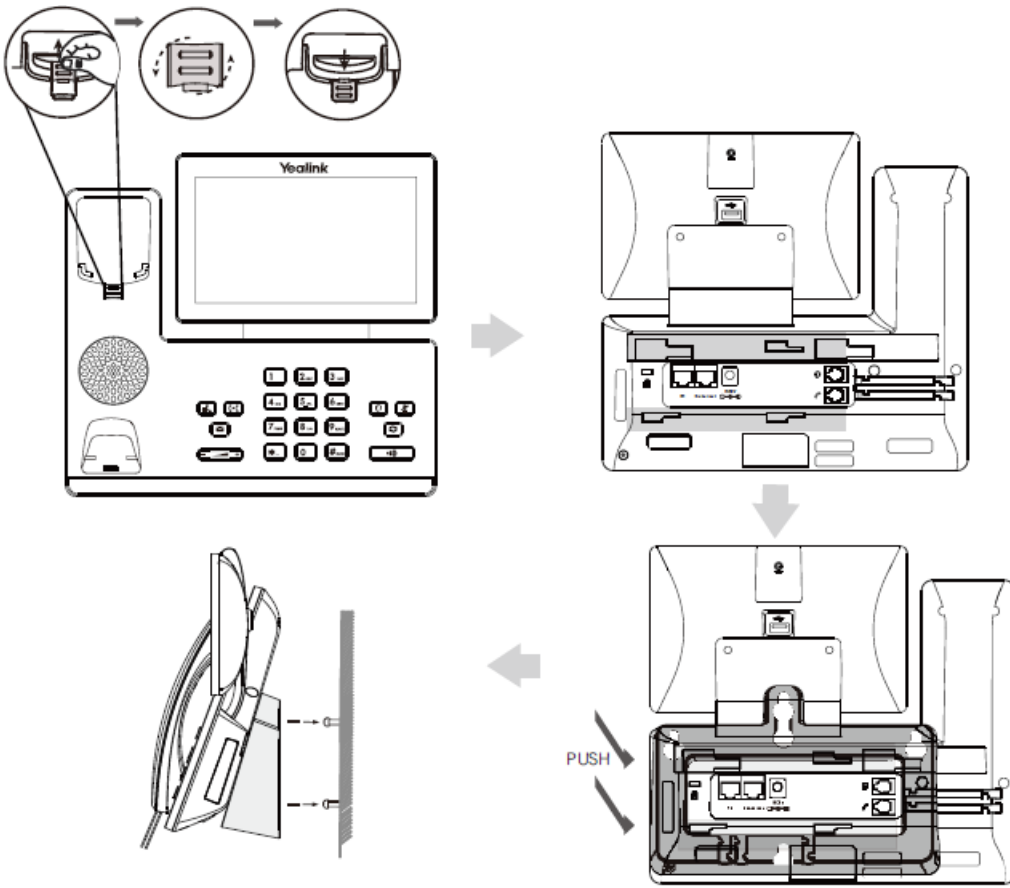
- The Yealink USB camera CAM50 is a standard accessory for the SIP-T58W with camera/SIP-T58W Pro with camera IP phone.
- We recommend using the accessories provided or approved by Yealink. The use of unapproved third-party accessories may result in reduced performance.

**Attach Stand**

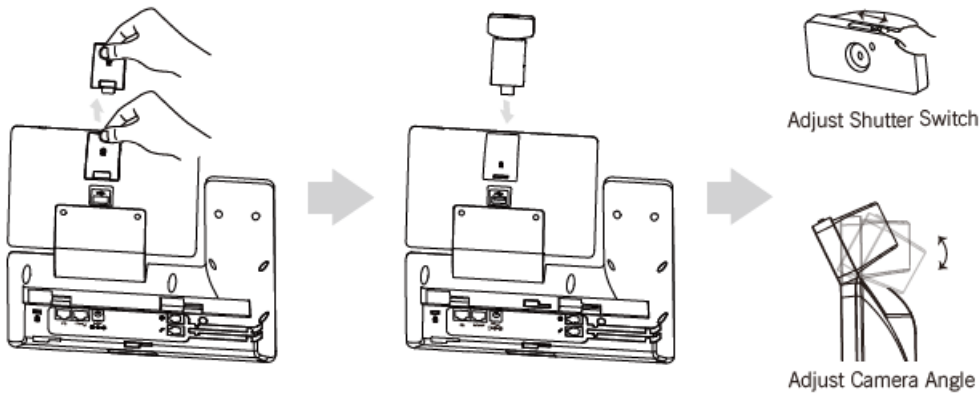
- **Desk Mount Method**



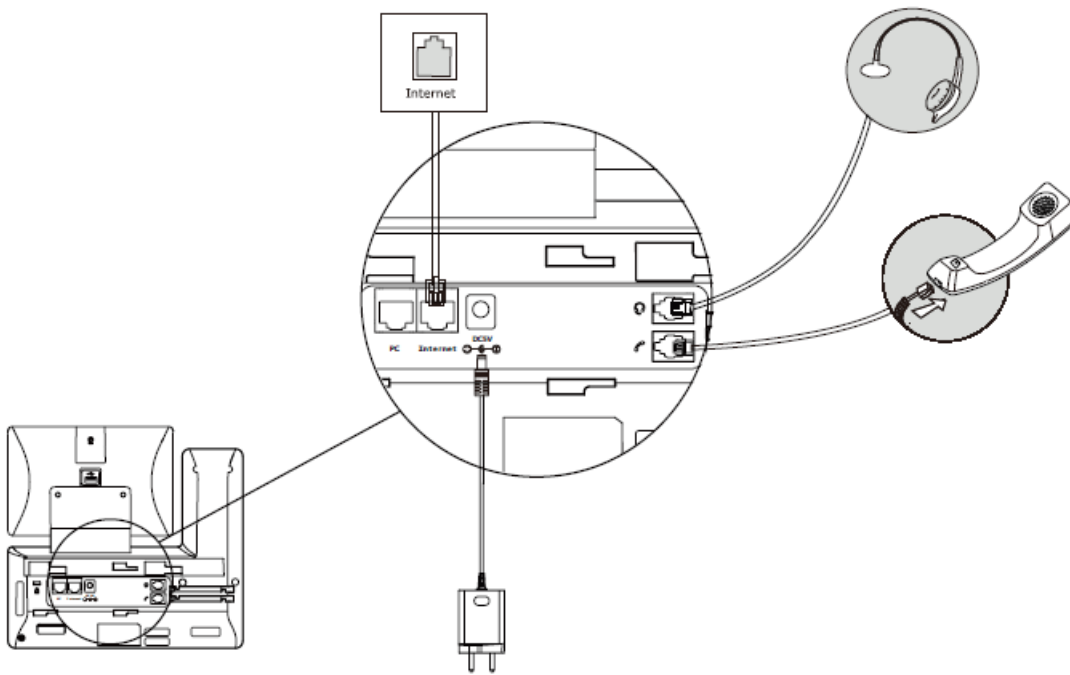
• Wall Mount Method



Insert the Camera



Connect Cables

**NOTE**

The IP phone should be used with Yealink's original power adapter (5V/2A) only. The use of the third-party power adapter may cause damage to the phone.